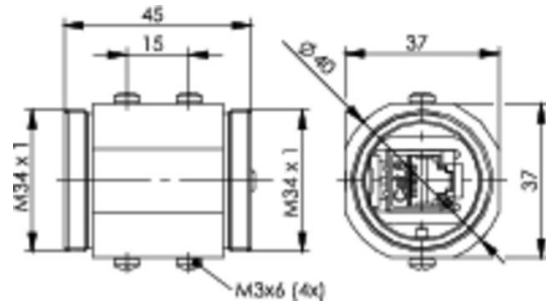


order number: J60029A0000

TOC coupler IP68; AMJ Coupler K; nickel-plated brass



Technical Attributes	
Description	
Description	
Remarks	brass, nickel-plated

Product description

TOC stands for Telecommunications Outdoor Connectors and offers cabling professionals the reliability and flexibility they need for toughest applications. The handy, easy to install TOC connectors are used for data- and telecommunications in mobile radio, process-, utility- and traffic automation, or security applications but also in the harsh environment of machine and plant engineering. The TOC series is available in nickel-plated brass for RJ45 Cat.6_A and FO LC Duplex connectors. Compliance with the specifications of protection class IP68 and due to its excellent material properties, the TOC series can be installed even in harsh conditions within a temperature range from -40°C to 85°C. To lock, relief of strain and seal the connection, one turning movement is necessary and no further procedures are required. Customers benefit: a fast, error free and easy installation, high transmission reliability and resilience and more flexibility in the network design.

The TOC series RJ45 coming with the newly available field assembly RJ45 plug MFP8 Cat.6_A and RJ45 keystone AMJ-S Module Cat.6_A is available as a set. They can be attached to solid and stranded conductor cables with cable outer diameter max. 9.5 mm on site without the need for any special tools. For line extensions, the TOC Coupler IP68 is your first choice. It can be easily integrated with no negative effects on performance of the connection.

Performance Characteristics

- suitable for 10 Gigabit Ethernet acc. to IEEE 802.3an

- suitable for PoE+ acc. to IEEE 802.3 at
- 360° shielding
- temperature range: -40° to +85°C
- protection class IP68 acc. to IEC 60529
- protection cap with protection class IP68
- RJ45 AMJ Coupler K acc. to IEC 60603-7-51 (500 MHz)
- RJ45 jack to RJ45 jack
- suitable for TOC plug set RJ45 IP68
- mounting on DIN rail TH35 by means of adaptors (J06000A0056)

Mechanical Characteristics	
Insertion force	≤ 30 N
Durability (mating cycles)	≥ 100
Material: adaptor housing	zinc diecast
Material: housing	brass, 5 µm Ni plated
Material: O-ring	silicone red
Material: screw	Stainless steel
Material: shield	German silver
Material: insulation body	PA UL94 V2 pure white
Material: PCB	FR4 UL94 V0
Material: PCB finish	chem. tin-plated
Material: contacts	spring steel
Material: contact finish	min. 0,8 µm Au on 1,2 µm Ni
Material: IDC termination finish	min. 3-6 µm Sn
Material: protection cap IP68	brass, 5 µm Ni plated

Electrical Characteristics	
Current carrying capacity at 50°C	1 A
PoE+ acc to IEEE 802.3at	Adequate for Power over Ethernet+

Standards	
Connectors	IEC 60603-7-51
Generic cabling systems	ANSI/TIA/EIA-568-C.2; ISO/IEC 11801; DIN EN 50173-1
Degrees of protection provided by enclosures (IP code)	IEC 60529

Transmission Characteristics	
10 Gigabit Ethernet acc. to IEEE 802.3an	Adequate for 10 Gigabit Ethernet
Class E _A (Channel)	ISO/IEC 11801, DIN EN 50173-1
Category 6A	ANSI/TIA/EIA-568-C.2
Category 6	ISO/IEC 11801, DIN EN 50173-1